

TG L55c

Condenser Micophone



TG L55c



TG L55c tan

FEATURES

- High performance miniature condenser microphone (omnidirectional)
- Splash-proof capsule design
- Extended frequency response
- Absolute studio quality
- High sensitivity
- Extremely small, unobtrusive design

APPLICATIONS

The TG L55c clip-on microphone is the first choice for television and film, as well as for presentations and theatre applications. The omnidirectional polar pattern of this acoustically balanced lavalier microphone allows a lot of flexibility in positioning – the TG L55c can be worn on a lapel, and it can also be disguised on the face with makeup. It is also water and sweat-protected and is exceedingly insensitive to pop noises. Available in both black and tan.

VERSIONS

TG L55c	Mini condenser lavalier microphone, omnidirectional, black, with 4-pin female mini XLR connector.	Order # 707.201
TG L55c tan	same as above, but beige	Order # 707.228

SUPPLIED ACCESSORIES

MKV 55 BLK	Mic clip to attach the microphone to clothing, black . . .	Order # 970.511
	or	
MKV 55 SC	Mic clip to attach the microphone to clothing, beige. . .	Order # 980.479
WS 55 SW	Wind shield, black.	Order # 904.236
	or	
WS 55 WS	Wind shield, white	Order # 904.244

TECHNICAL SPECIFICATIONS

Transducer type	Condenser (electret)
Operating principle.	Pressure
Polar pattern	Omnidirectional
Frequency response	20 - 20,000 Hz
Open circuit voltage	10 mV/Pa (-40 dBV) ±3 dB*
Nominal impedance	1 kΩ
Max. SPL	118 dB SPL*
S/N ratio.	52 dB [CCIR; Q-Peak]*
Equivalent SPL	33 dB [A, RMS]*
Supply voltage	1.5 to 9 V
Connection	4-pin Tiny QG
	Pin 1 = 0 V
	Pin 2 = 0 V
	Pin 3 = AF output
	Pin 4 = bias input

Dimensions	
Head diameter	5.2 mm
Length	13 mm
Cable length	1.2 m
Weight	
without cable / connector.	1 g
with cable / connector.	9 g
Clip	3 g

*measured with CV 18

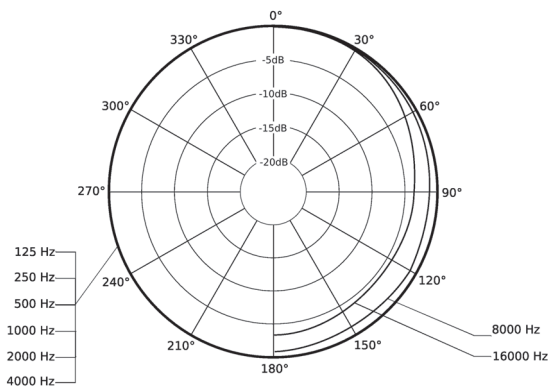
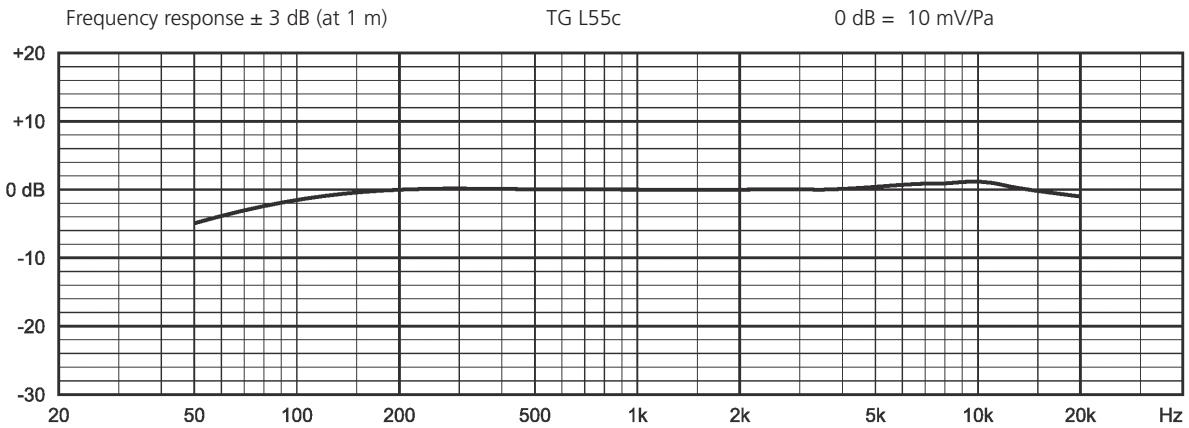
OPTIONAL ACCESSORIES

CV 18	Phantom power adapter to connect to phantom-powered microphone inputs	Order # 475.378
MKV 55 BLK	Mic clip, black.	Order # 970.511
MKV 55 SC	Mic clip, beige.	Order # 980.479
WS 55 SW	Wind shield, black.	Order # 904.236
WS 55 WS	Wind shield, white	Order # 904.244

TG L55c

FREQUENCY RESPONSE & POLAR PATTERN

This polar pattern and frequency response curve (± 3 dB) correspond to a typical production sample for this microphone.



WIRING DIAGRAM

